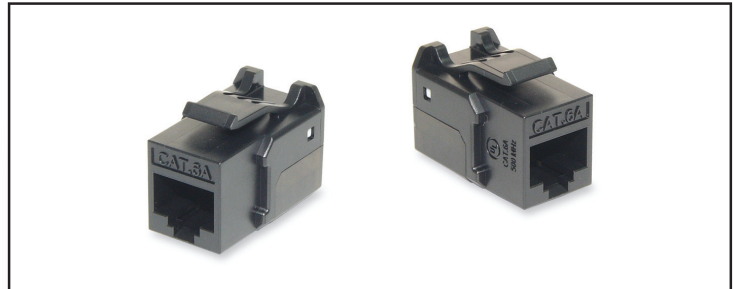


400804 DNS CAT6 UTP T3

- EC Verified
- 100% tested acc. to ISO/IEC 11801; EN 50173-1; ANSI/TIA-568-C; IEC332-1
- 25 Year DNS Warranty
- RoHS Compliant



FEATURES

- 25 year DNS Warranty
- EC Verified
- Variable colors
- 90° angle
- 50psc Box
- 100% tested acc. to ISO/IEC 11801; EN 50173-1 Class E
- 110 & Krone Punch Down Tool
- DNS QuickTool Compatible
- 50 Micro-Inch Gold Plated

CONSTRUCTION & PERFORMANCE

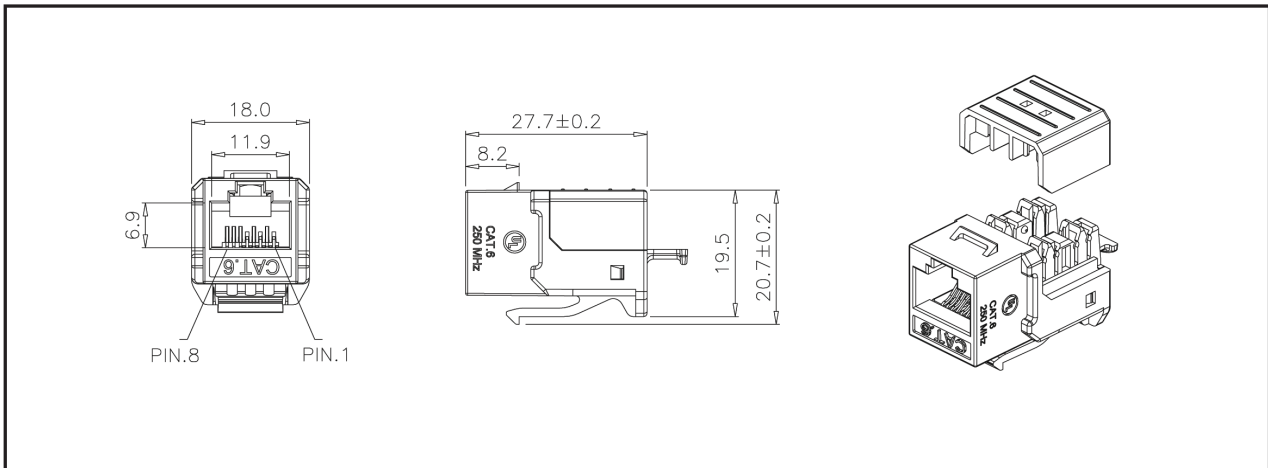
Wiring	T568A & T568B; 23-26AWG Solid Wire
Jack housing	ABS+PC UL94V-0
Insertion Force	20N Max.(IEC60603-7-4)
Operating Temperature Range	-10 to +60C(ISO/IEC 11801; ANSI/TIA 568C.2)
Retention Force	7,7 kg between Jack and Plug
Life Cycles	750 Cycles Min.(ISO/IEC 11801; IEC60603-7-4)
Electrical (UL1863)	Current 1,5Amp Max;Voltage 150V;
Dielectric withstand voltage	1000VAC RMS 60Hz 1 min.

PERFORMANCE OVERVIEW

Category 6 keystone jacks are manufactured and tested to the Category 6 performance standards defined by the TIA, ISO and EN standards bodies. Actual performance exceeds the required standard.

The keystone is also compatible with Category 5 and 5e components.

KEYSTONE DIMENSIONS



TYPICAL APPLICATIONS

- 1000BASE-T Gigabit Ethernet
- LAN networks
- 100BASE-TX Ethernet
- 10BASE-TX

DNS WARRANTY SYSTEM

The DNS System Warranty provides a 25-year product and applications warranty. The guarantee covers system and application performance according to EN50173-1:2002, ANSI/TIA/EIA-568-B.2:2002 and ISO/IEC 11801-2 at the time of proper signed application form. The warranty may be applied by the certified DNS Partner.