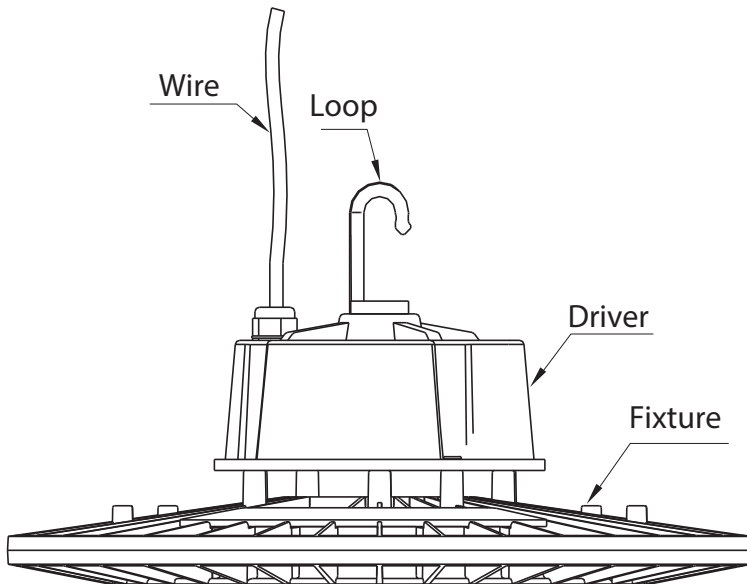


# DCF 324 Mounting instruction

TAKTON



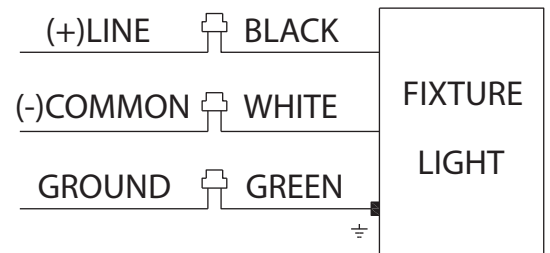
The installation should be carried out by an electrician or by any similarly qualified person.



## WIRING

Universal voltage driver permits operation at 120V thru 277V, 50 or 60 Hz. Follow wiring directions as in Fig. 3.

1. Connect the black fixture lead to the (+) LINE supply lead.
2. Connect the white fixture lead to the (-) COMMON supply lead.
3. Connect the GROUND wire from fixture to supply ground.



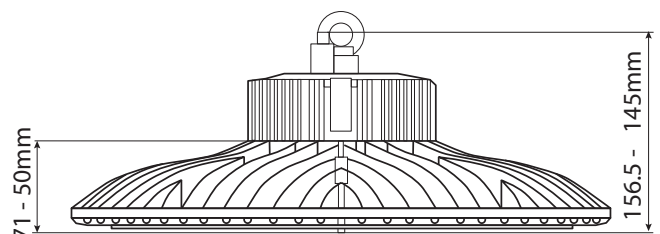
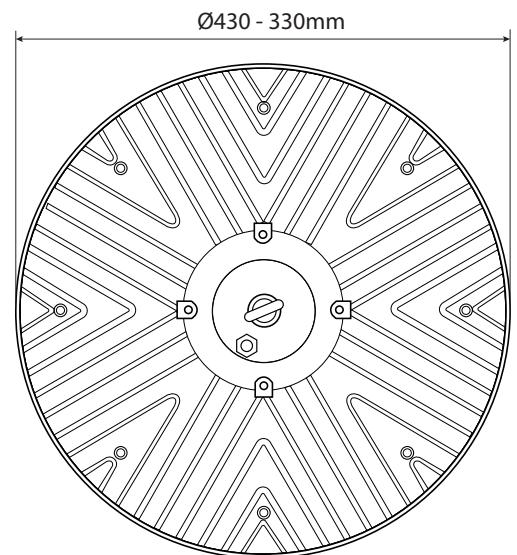
## CLEANING & MAINTENANCE

**CAUTION:** Be sure fixture temperature is cool enough to touch. Do not clean or maintain while fixture is energized.

1. Clean glass lens & fixture with non-abrasive glass cleaning solution.
2. Do not open fixture to clean the LED. Do not touch the LED.

- The product is class 1.
  - Check whether the product has been damaged during transport. Do not operate/install any product which appears damaged in any way. Return the complete product to the place of purchase for inspection, repair or replacement.
  - Take care not to pull any electrical wires during unpacking as this may damage the connection.
  - Isolate the electrical supply before doing any work on this equipment.
  - Select a suitable location for installation.
- This product is protected against water penetration to IP65

Check that the line voltage at fixture is correct.



### CAUTION

#### RISK OF BURN INJURIES

During and after use the unit may be hot. Do not touch the unit before it has completely cooled down.

Failure to follow these instructions can result in minor injuries, or equipment damage.