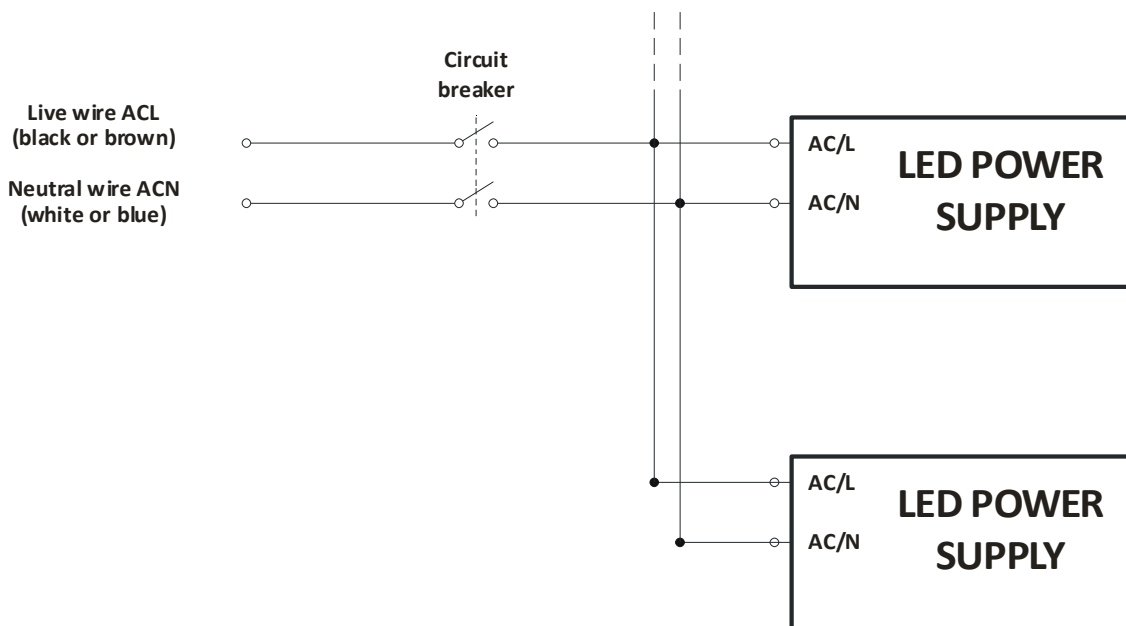

MOUNTING / INSTALLATION MANUAL

1. APPLICATIONS

The LED power supplies are designed for the LED (Light Emitting Diode) Lamps used in indoor or outdoor, dust or damp locations. GPV, GPVP, GPC, GPCP are in II isolation class (they have no PE/FG wire).

2. IMPORTANT INFORMATIONS FOR THE INSTALLATION

- Before installation, please disconnect the power supply from mains and ensure it cannot be connected accidentally.
- Keep free air convection around the power supply, don't put any objects on it and keep at least 10-15cm space between power supply and other heat emitter.
- Position other than indicated or working in high temperature ambient may cause internal components temperature increasing, which results de-rating (see de-rating curve in datasheet)
- Input and output current rating wires, should be greater than internal unit's wires
- In case of using waterproof wires connectors, please ensure, the connection is stable and doesn't allow water to get into
- To connect power supply to the mains:
 - connect ACL wire (brown or black) of the unit to mains Live AC (brown or black)
 - connect ACN wire (white or blue) of the unit to mains Neutral AC (white or blue)



- Maximum number of power supplies simultaneously connected to the one circuit breaker at 230VAC is shown below:

Model	B10	B16	C10	C16
GPC-9	6	9	10	15
GPC-20	2	4	5	7
GPC-35	2	4	4	6
GPC-60	2	3	4	6
GPCP-20	2	4	4	6
GPCP-35	2	5	5	6
GPCP-60	5	8	8	14
GPV-12	6	9	10	15
GPV-20	2	4	5	7
GPV-35	2	4	4	6
GPV-60	2	3	4	6
GPV-100	1	1	1	3
GPVP-35	2	5	5	6
GPVP-60	2	3	4	6

3. CAUTION DURING INSTALLATION AND USING

- All the damages should be fixed by authorized personnel only
- Do not remove housing of the power supply by yourself – risk of electrical shock
- Caution! Risk of irreversible damage. IP67 power supplies should work only indoor or outdoor not exposed for rain and sunlight
- Do not place power supply in high temperature or near to the heat emitters. For maximum ambient work and storage temperature, refer to datasheet
- Maximum load current and power cannot exceed rated (see datasheet)
- The power supply is a component designed for installing into whole system, so it cannot be treated as an independent device. Final EMC test results are obligatory for whole system, so the test must be done again, after mounting power supply into such system

